

PROJECT RW				
PLAN MARK	NAME	TYPE	D.B.	PG.
(P8)	PERRY CO. BOARD OF EDUCATION	W.L. EASEMENT	373	252
(P10)	NOT USED			
(P11)	NOT USED			

STA. 10+80 L03
COMPLETE TIE-IN # 7
SET 8x6 (PEX-MJ) REDUCER, 8"
VLV. & BOX, USE ~ 4 TONS OF
PVT. REPLACE. & ~ 2 TONS
OF PAVE. MILLING FOR P. LOT
REPAIR, END L03

STA. 10+45 L03
SET ARV, SEE
NOTE 11

STA. 10+38 L03
END 10" HDD PE
BEGIN 8" D.I.,
SEE NOTE 11

CRITICALLY IMPORTANT,
SEE NOTE 4

BEGIN 10" HDD PE

NEW CAP IN
EXIST. 6" C.I.
SEE NOTE 4

STA. 8+31 L03
END 8" D.I., BEGIN
10" HDD PE

STA. 8+16 L03
SET 8" VLV. & BOX &
SMALL RIVER TEST STA.

FOR PROFILE OF L03
SEE SHT. 33

CONST. ALL OF L03 @
APPROX. TOE OF SLOPE

STA. 3+54 L03
USE ~ 15 TON OF CLII STONE
& 1 CYD CONC. IF REQ. @
DRAIN-X

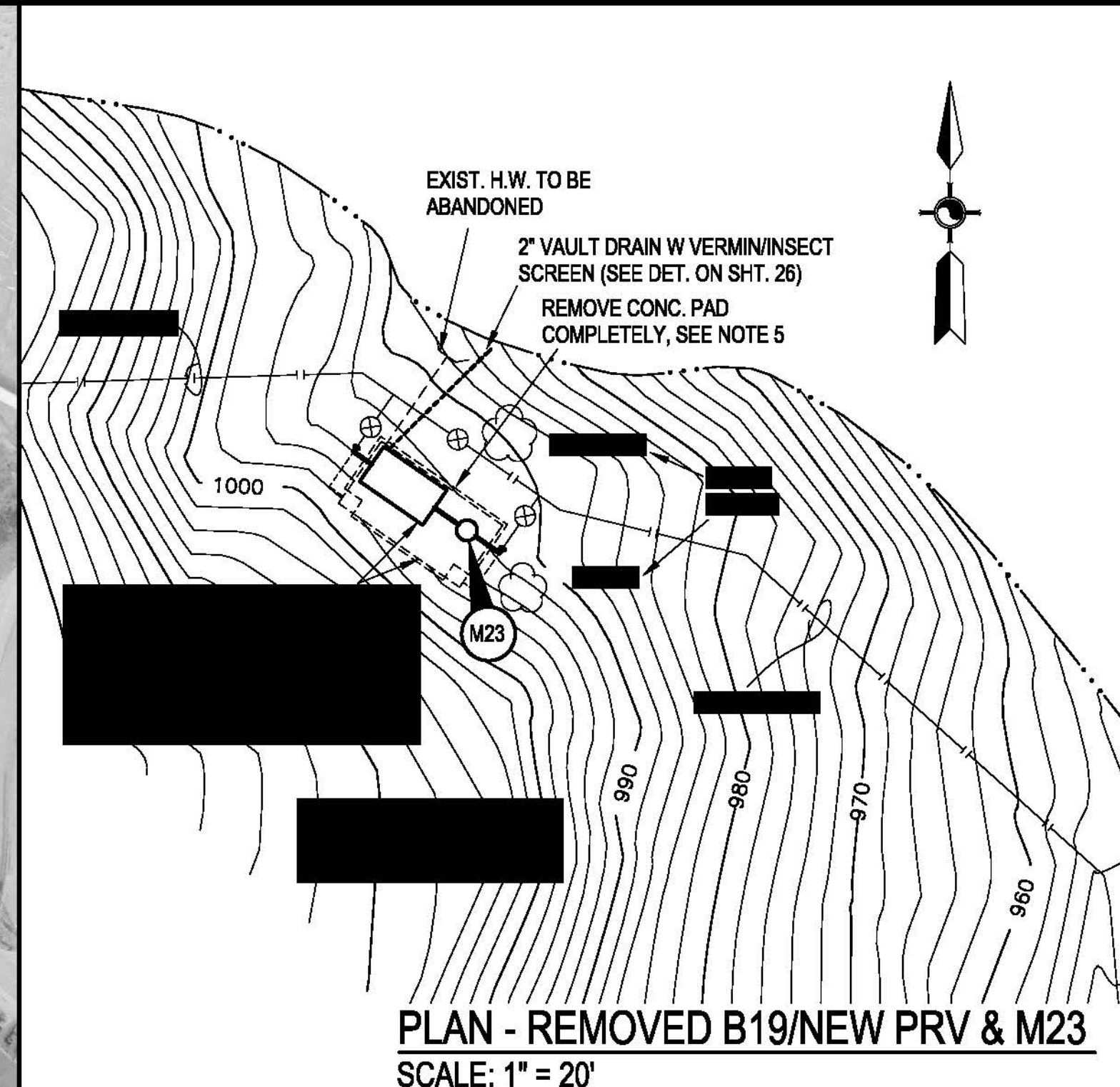
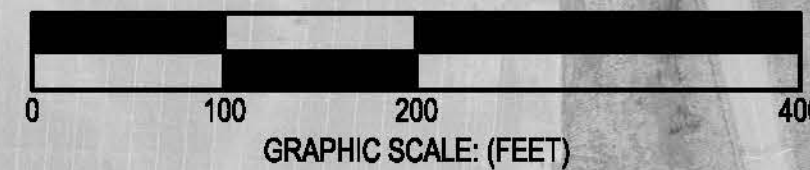
APPROX. 1,100' TO
BOOSTER STA. SHOWN
IN RT. PANEL

APPROX. BEGINNING
OF BALL JT. D.I.

NEW
EXISTING

STA. 0+00 LINE 03 (L03)
COMPLETE TIE-IN # 6
IN EXIST. PVC LINE INSTALL NEW 8" M.J. TEE,
(3) NEW 8" VLV. & BOXES, MASTER METER
M04 (6" IN 8"), BEGIN NEW 8" D.I. L03 TO
NORTH

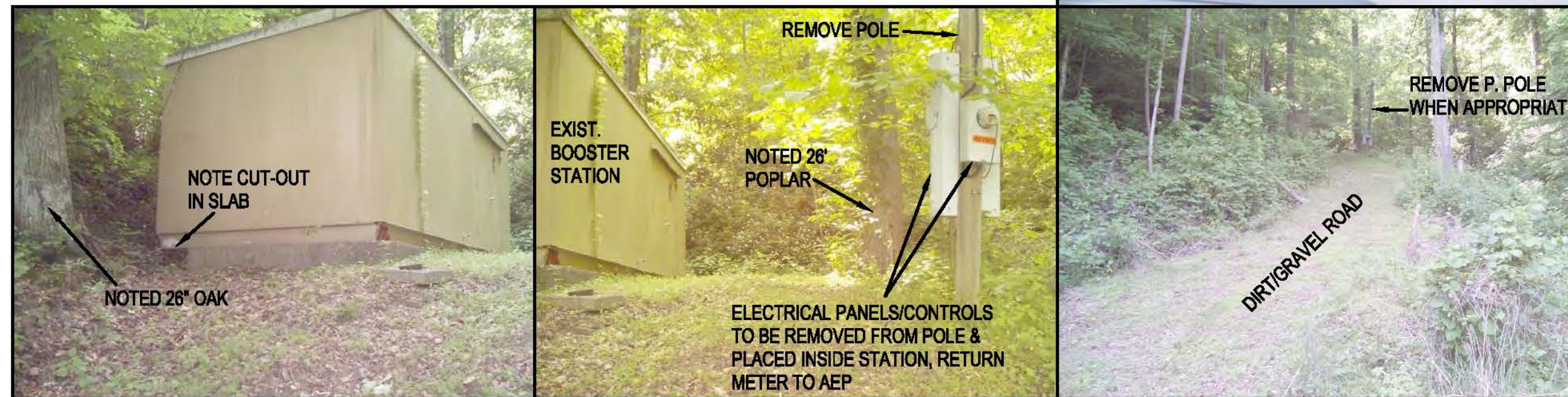
PLAN - L03 (PCC TIE-IN)



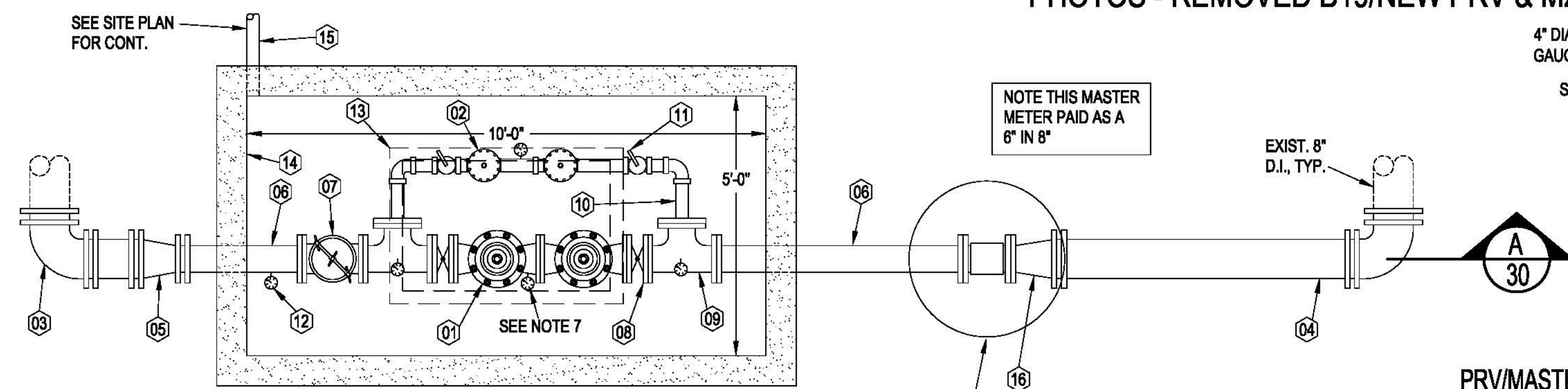
PLAN - REMOVED B19/NEW PRV & M23
SCALE: 1" = 20'

- SHEET NOTES:**
- NOT USED.
 - THIS LINE CAN BE ISOLATED; CONTACT HAZARD WATER CO.
 - THIS VLV. REPORTED AS NOT CLOSING COMPLETELY. ISOLATION OF LINE MAY REQUIRE ADDITIONAL WORK. WORK W/ HAZARD WATER CO. WHEN APPROPRIATE.
 - EXIST. WATERLINES SHOWN IN THIS AREA ARE VERY APPROXIMATE IN REGARDS THEIR LOCATION. BEFORE CONSTRUCTING THE PROPOSED NEW LINE X-ING, NEW CAP, AND NEW HYDRANT, THE LOCATION OF THESE MUST BE FIELD DETERMINED BY HAZARD WATER CO.
 - ALL MATERIALS TO BECOME PROPERTY OF CONTR. PROPERLY DISPOSE OF OFF-SITE.
 - DO NOT DISTURB ANY LARGE TREE ON THE "REMOVED B.S./NEW PRV" SITE.
 - IF MANUFACTURER CANNOT PROVIDE TAP FOR GAUGE HERE PROVIDE SMALL SPOOL PIECE W/ TAP. SEE NOTE 8.
 - CONTR. IS RESPONSIBLE TO CONFIRM EQUIP. W/ FIT IN VAULT BEFORE ORDERING MATERIALS.
 - THIS LIST IS PROVIDED FOR THE CONVENIENCE OF THE CONTR. ONLY. CONTR. IS RESPONSIBLE FOR PROVIDING A COMPLETE & WORKING INSTALLATION REGARDLESS OF COMPLETENESS OR CORRECTNESS OF LIST.
 - THE OWNER MAY WANT TO CHANGE THIS OUTLET PRESS. TO BEST SERVE THEIR NEEDS. THIS OUTLET SETTING MAY GO AS LOW AS 55 PSI. A FIXED PROPORTION VLV. FOR THE FIRST OF EACH SERIES MAY BE USED, BUT THE SECOND VLV. IN EACH SERIES SHALL BE FULLY ADJUSTABLE.
 - IT IS DESIRABLE TO END 10" HD PE AS QUICKLY AS POSSIBLE ON THIS SIDE OF THE RIVER. IF 10" HDPE CAN SUITABLY BE INSTALLED AT DECREASED RADIUS COMING UP AND OUT OF RIVER, DO SO.

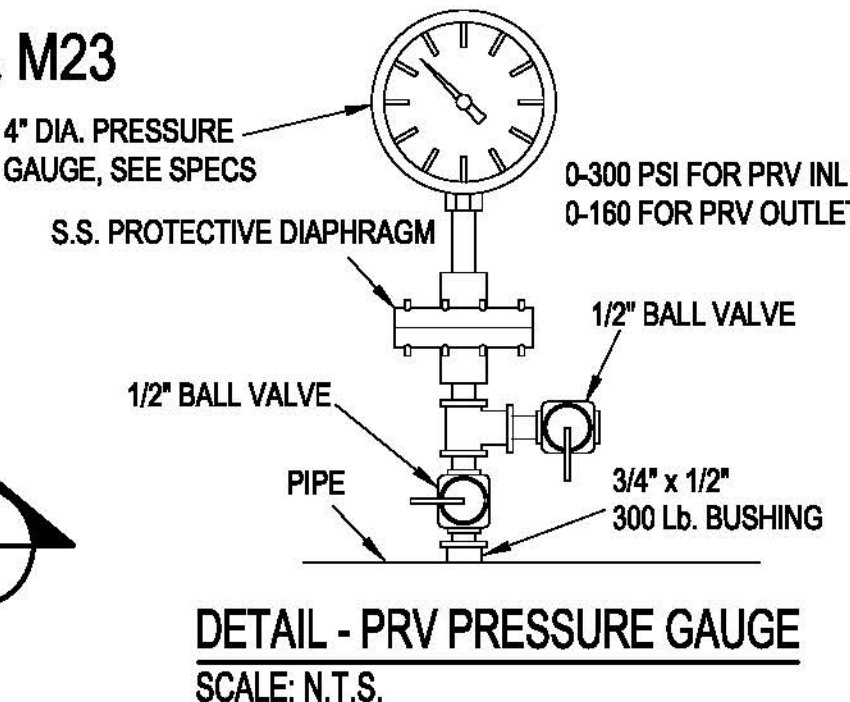
INFORMATION ONLY



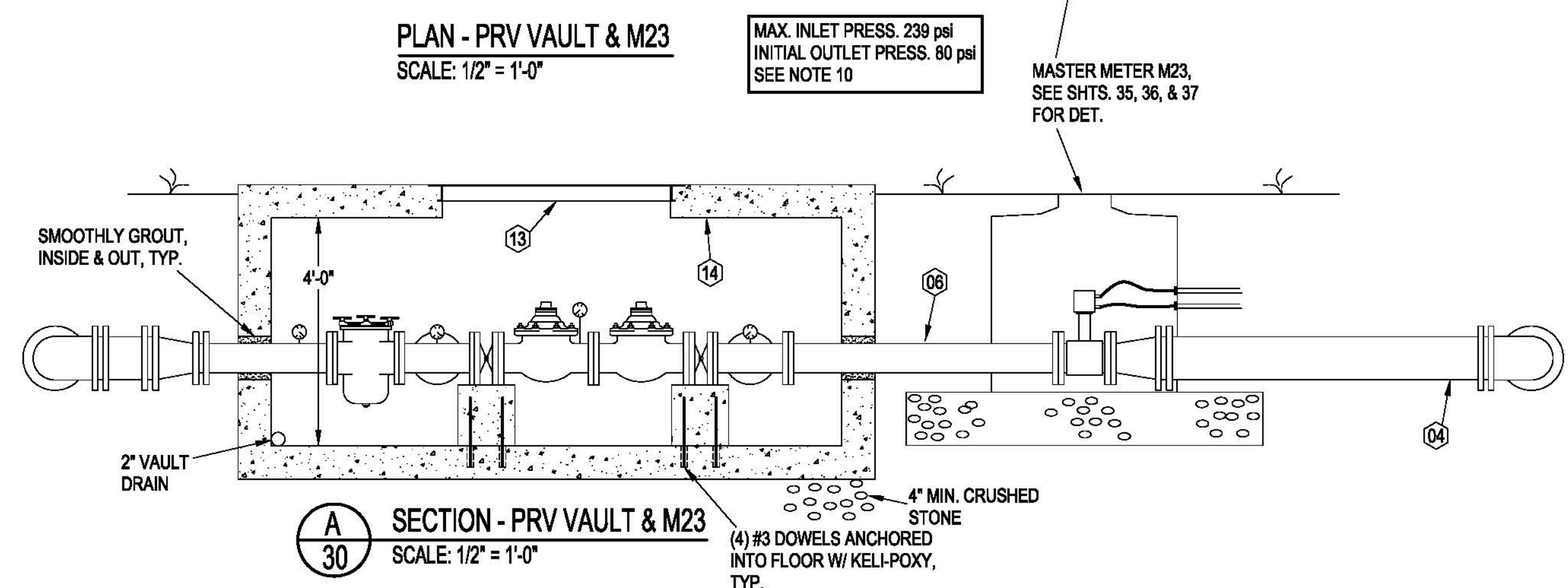
PHOTOS - REMOVED B19/NEW PRV & M23



PLAN - PRV VAULT & M23
SCALE: 1/2" = 1'-0"



DETAIL - PRV PRESSURE GAUGE
SCALE: N.T.S.



SECTION - PRV VAULT & M23
SCALE: 1/2" = 1'-0"

PRV/MASTER METER MATERIALS LIST (SEE NOTE 9)

PLAN MARK	QTY.	DESCRIPTION	SIZE
(01)	2	WATTS 115-7 PRV	6"
(02)	2	WATTS 115-7 PRV	2"
(03)	2	M.J. 90 ELL	8"
(04)	AS REQ.	D.I. PIPE	8"
(05)	1	M.J. CONCENTRIC REDUCER	6"x8"
(06)	AS REQ.	D.I. PIPE	6"
(07)	1	MUELLER 115M BASKET STRAINER	6"
(08)	2	PRATT (OR EQ.) 2FII FALNGED B.F. VLV.	6"
(09)	2	FLANGED TEE W/ BLIND FLG. TAPPED FOR 2"	6"
(10)	AS REQ.	RED BRASS PIPING	2"
(11)	2	WATTS THRD. BALL VLV.	2"
(12)	5	PRV PRESS. GAUGES, SEE DET. THIS SHT.	SEE DET.
(13)	1	U.S. FOUNDRARY APS 300, 30x48 ALUM. HATCH	
(14)	1	PRE-CAST VAULT, 10' LONG, 5' WIDE, 4' HIGH	
(15)	AS REQ.	PVC VAULT DRAIN W/ SCREEN (SEE SHT. 28)	2"
(16)	1	FLG.MJ CONCENTRIC REDUCER	6"x8"



COUNTY	PERRY
YEAR	2013

"La Caille"
651 Spalding Drive
Hazard, Kentucky 41701-1684

H. A. SPALDING ENGINEERS, INC.
HAZARD WATER SYSTEMS IMPROVEMENTS PROJECT
CITY OF HAZARD, KENTUCKY

SHEET NO. **30**

SCALE: (AS SHOWN)
DATE: 6/11/13
DRAWN BY: [Name]
APPROVED BY: [Name]
FILE NAME: [Name]
H.A.S. [Signature]

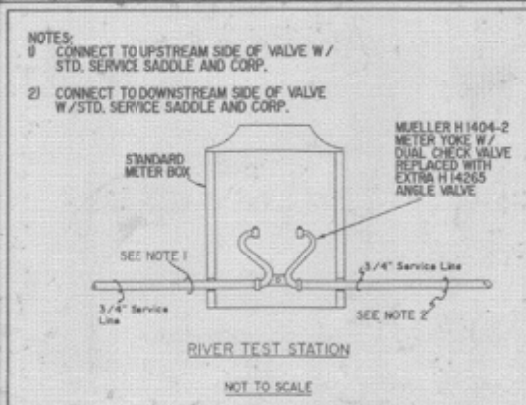
KY. DEPT. OF TRANSPORTATION R/W NOTE:
The Contractor shall cover and maintain ditches
and shoulders as per KY. D.O.T. Regulations

BUILDING LEGEND

- A Apartments
- C Commercial
- G Garages/Sheds
- T Trailers (Domestic)



INFORMATION ONLY



CONTRACTOR NOTE:
SEE SEQUENCE OF WORK IN SPECS. FOR RETIE @ STA. 59+88 & 64+15

CONTRACTOR NOTE # 2:
WORK AT STA. 64+15 MAY BE DELETED FROM PROJECT SHOULD BIDS COME IN HEAVY

STA. 59+88 STA. 63+25
MAKE MAINLINE TIE @ STA. 59+88 - STA. 63+25 SET 8x8 CROSS, (3) 8" FLGD. VALVES AND BOXES, ONE IN LINE @ CHECK VALVE SET PRV #1 COMPLETE, AND BEGIN 5' OF BORED 14" LINER PIPE. SEE SHT. 5 FOR STA. 63+25 TIE DETAIL AND PRV DETAIL. CONTINUE 8" D.I. C.W. MAINLINE

STA. 64+15 USED 8" CHECK VALVE (SEE DETAIL SHT. 5) SET 8x8 M.J. TEE, 8" VLV. AND BOX, BEGIN 90' OF 14" RUN 28.5' BORED LINER PIPE. RUN 190' OF 8" DICJ. MAKE TIE-IN TO EXIST. 6" VLV. AS SHOWN (STA. 64+15) SEE CONTRACTOR'S NOTE # 2 WITH 8x6 REDUCER (28.5' FROM VALVE BOX TO 8x6 REDUCER)

EXISTING UTILITIES LEGEND

WATERLINES	---
SEWER LINES	---
GAS LINES	---
UNDERGROUND ELECTRICAL LINES	---

KENTUCKY TRANSPORTATION CABINET CONTRACTOR NOTE
Dimensions in boxes along State maintained roads indicate planned and minimum distance waterline shall be installed from edge of pavement.

SHEET TOTALS

La Cleselle
661 Skyline Drive
Hazard, Kentucky 41701-1664

REVISION	DATE	BY

H. A. SPALDING ENGINEERS, INC.
HOMINY MILL WATER IMPROVEMENT PROJECT
City of Hazard, Kentucky

SHEET NO.	3	OF TOTAL SHEETS	12
SCALE	Noted	DATE	3/23/1998
DRAWN BY	M.E. L.V. L.A.T.	APPROVED BY	E.A.S.
JOB NUMBER			

KENTUCKY PROFESSIONAL SEAL
H.A. Spalding
SIGNATURE

PLAN SCALE 1" = 100'
UNLESS NOTED